

Model F-W300 Wafer Butterfly Valves

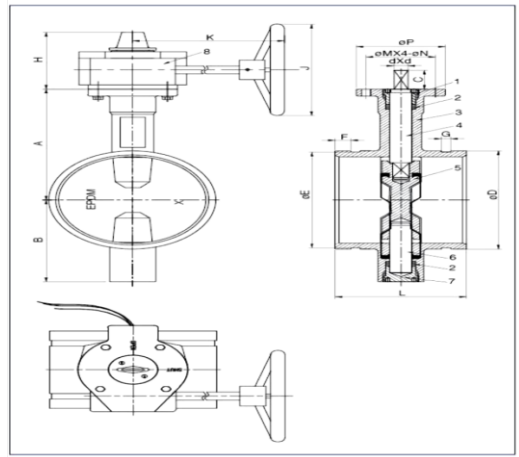
Technical Features

Design Standard API609
 comply with AWWA C606 Standard
 Built-in supervisory switch
 Working Pressure 300 PSI/20.7 Bar
 Size range 2-1/2" to 12"



MATERIAL LIST

PART	SPECIFICATION
1.Upper Shaft Sealing Nut	ASTM A216
2.Shaft Seal	EDPM ASTM D 2000
3.Body	Ductile Iron ASTM A 536
4.Upper Shaft	Stainless Steel 416
5.Disc	Ductile Iron ASTM A 536/EDPM ASTM D 2000
6.Lower Shaft	Stainless Steel 416
7.Lower Shaft Sealing Nut	ASTM A216
8.End Face Seal	EDPM ASTM D 2000
9.Signal Gear Box	Ductile Iron ASTM A 536



Size	A	B	C	D	H	K	J	P	M	N	D	L
2-1/2"	125	95	32	112	111	218	152	90	70	9	10	44.2
3"	140	100	32	120	111	218	152	90	70	9	11	45.3
4"	160	100	32	165	111	218	152	90	70	9	14	52.0
5"	170	125	32	182	111	218	152	90	70	9	14	54.4
6"	190	140	32	216	111	218	200	90	70	9	16	55.8
8"	230	175	32	260	126	232	300	125	102	12	19	60.5
10"	260	200	45	320	126	232	300	125	102	12	22	66.5
12"	300	240	45	375	161	252	350	150	125	14	24	76.9