

Model F-G300 Grooved Butterfly Valves

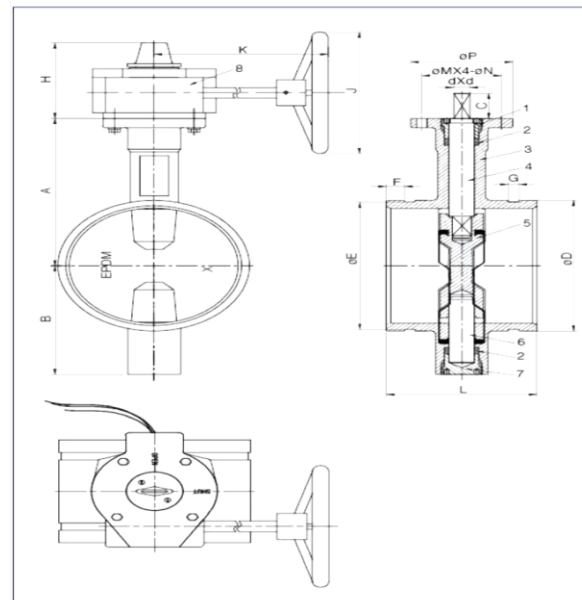
Technical Features

- Design Standard API609
- Grooved ends comply with AWWA C606 Standard
- Built-in supervisory switch
- Working Pressure 300 PSI/20.7 Bar
- Size range 2-1/2" to 12"



MATERIAL LIST

PART	SPECIFICATION
1.Upper Shaft Sealing Nut	ASTM A216
2.Shaft Seal	EDPM ASTM D 2000
3.Body	Ductile Iron ASTM A 536
4.Upper Shaft	Stainless Steel 416
5.Disc	Ductile Iron ASTM A 536/EDPM ASTM D 2000
6.Lower Shaft	Stainless Steel 416
7.Upper Shaft Sealing Nut	ASTM A216
8.Signal Gear Box	Ductile Iron ASTM A 536



Size	A	B	C	D	E	F	G	H	K	J	P	M	N	D	L
2-1/2"	125	95	32	76.1	72.1	15.9	7.9	111	218	152	90	70	9	10	96.4
3"	140	100	32	88.9	84.9	15.9	7.9	111	218	152	90	70	9	11	97.0
4"	160	100	32	114.3	110.1	15.9	9.5	111	218	152	90	70	9	14	115.1
5"	170	125	32	114.3	137.0	15.9	9.5	111	218	152	90	70	9	14	132.4
6"	190	140	32	168.3	164.0	15.9	9.5	111	218	200	90	70	9	16	132.4
8"	230	175	32	219.1	214.6	19.0	11.1	126	232	300	125	102	12	19	147.4
10"	260	200	45	273.0	268.3	19.0	12.7	126	232	300	125	102	12	22	159.0
12"	300	240	45	324.0	318.3	19.0	12.7	161	252	350	150	125	14	24	165.0